

DOUBLE RUN 301 & 301H - TIMBER

Capacity - 301:

- Maximum door weight: 250kg.
- Maximum door height: 3600mm.
- Door thickness: 45mm - 57mm.

Capacity - 301H:

- Maximum door weight: 450kg.
- Maximum door height: 4200mm.
- Door thickness: 45mm - 57mm.

Application:

A general purpose top hung track system for straight sliding timber doors in commercial or industrial situations.

Components:

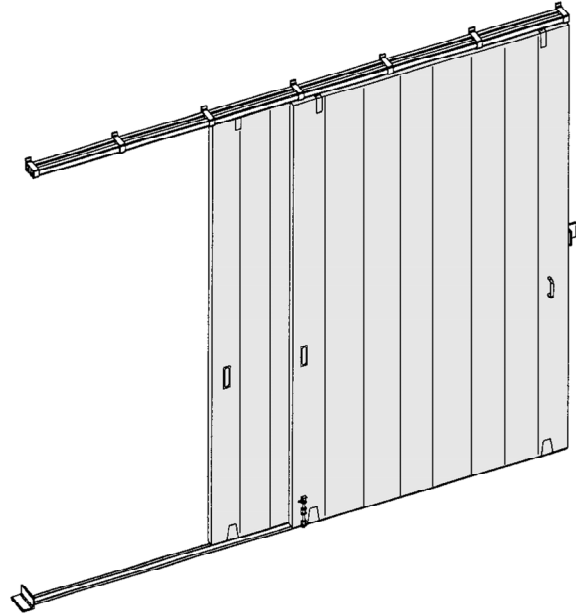
- Track - galvanised (301 or 301H). Available in 2m, 2.5m or 3m lengths.
- Brackets - single run, soffit fixing (3/301).
- Brackets - single run, soffit fixing, parallel ear (4/301).
- Brackets - single run, soffit fixing, parallel ear, steel (4/301/S).
- Brackets - double run, face fixing (5/301).
- Brackets - double run, soffit fixing (6/301).
- Hangers - wooden doors, 2-wheel, apron fixing, nylon, 125kg capacity per pair (50AN).
- Hangers - wooden doors, 2-wheel, apron fixing, steel, 125kg capacity per pair (50AS).
- Hangers - wooden doors, 4-wheel, angle fixing, nylon (52AN).
- Hangers - wooden doors, 4-wheel, angle fixing, steel (52AS).
- Hangers - wooden doors, 4-wheel, apron fixing, nylon (53AN).
- Hangers - wooden doors, 4-wheel, apron fixing, steel (53AS).
- Hangers - wooden doors, 4-wheel, concealed fixing, nylon (57AN).
- Hangers - wooden doors, 4-wheel, concealed fixing, steel (57AS).
- Guides - wooden doors (102½/97).
- Guides - wooden doors (105R/97).
- Guides - wooden doors, concealed fixing (106R/94).
- Guide - wooden doors (106RB/94).
- Guide - wooden doors (106R/97).
- Channel - aluminium (94X). Available in 1.6m, 2m, 2.5m, 3m and 3.2m lengths.
- Guide Channel - aluminium, anodised (94XNAA). Available in 2m, 3m, 4m and 6m lengths.
- Channel - brass (94). Available in 1.6m, 2m, 2.5m, 3m and 3.2m lengths.
- Channel - polypropylene (94P). Available in 2m, 3m, 4m and 6m lengths.
- Channel - polypropylene with aluminium support (94PA). Available in 2m, 3m, 4m and 6m lengths.
- Channel - galvanised steel (100). Available in 2m, 2.5m and 3m lengths.
- Channel - galvanised steel (97). Available in 2m, 2.5m and 3m lengths.
- Bottom Guide Rail - (299). Available in 2m lengths.

Optional Extras:

- Flush Pulls.
- Flush Bolts.
- Handles.
- Stops - (301DS).

Please note:

- Brackets to be fixed every 700mm - 900mm maximum and at track joints.
- Two hangers required per door.
- Please refer to component section for component options and technical detail.

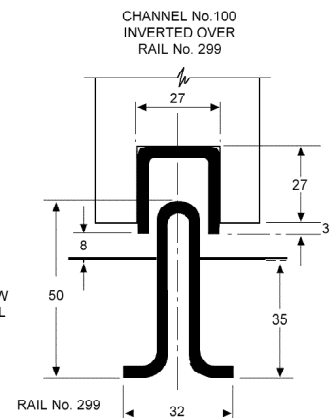
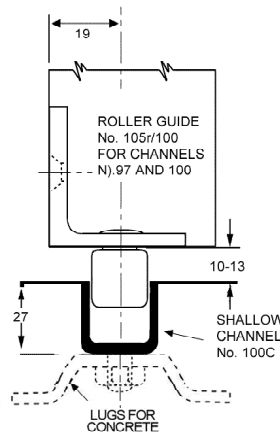
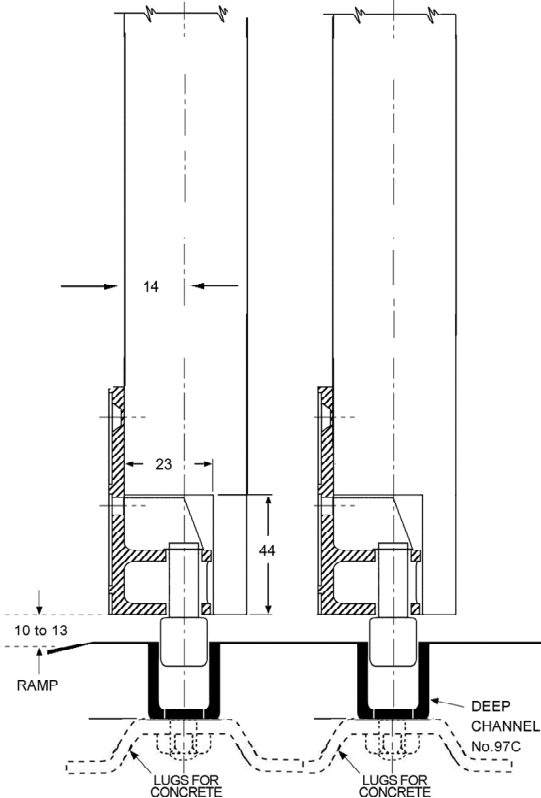
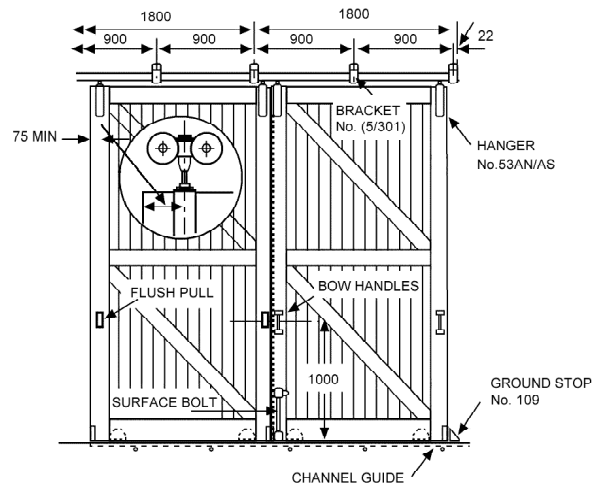
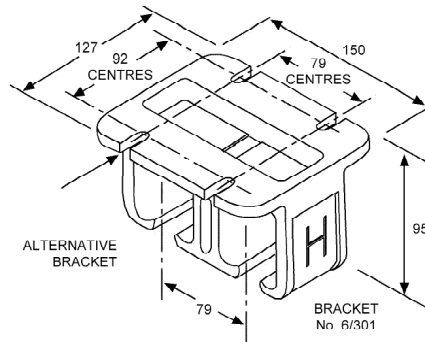
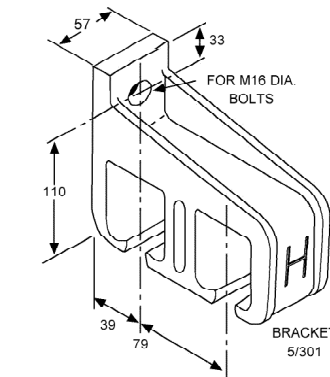
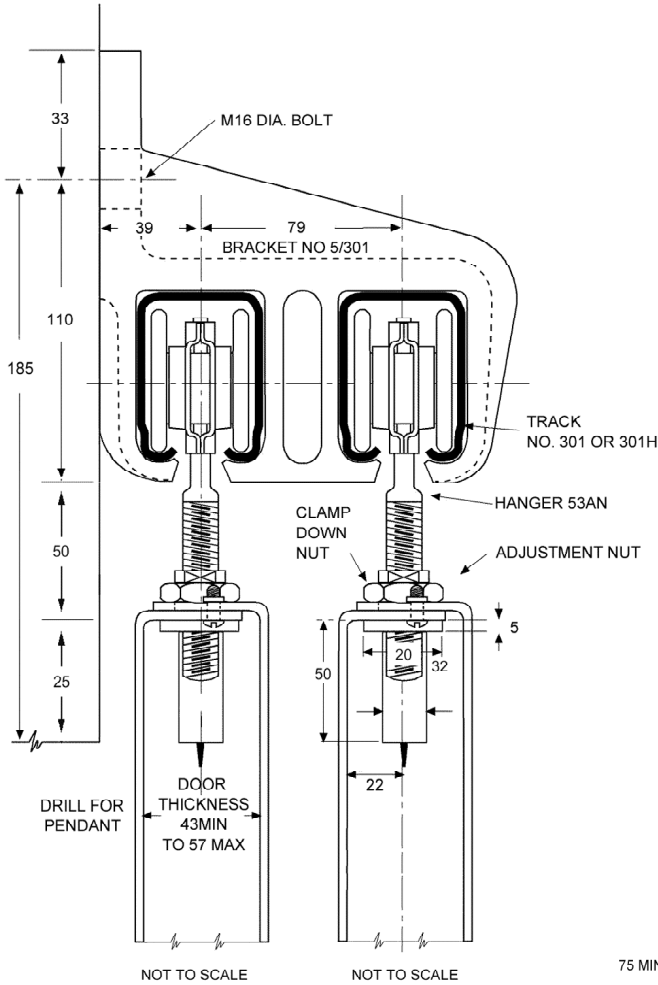


DOUBLE RUN 301 & 301H - TIMBER



DOUBLE RUN 301 & 301H - TIMBER

DOUBLE RUN 301 & 301H - TIMBER



DOUBLE RUN 301 & 301H - METAL

Capacity - 301:

- Maximum door weight: 250kg.
- Maximum door height: 3600mm.
- Door thickness: 45mm - 57mm.

Capacity - 301H:

- Maximum door weight: 450kg.
- Maximum door height: 4200mm.
- Door thickness: 45mm - 57mm.

Application:

A general purpose top hung track system for straight sliding steel doors in commercial or industrial situations.

Components:

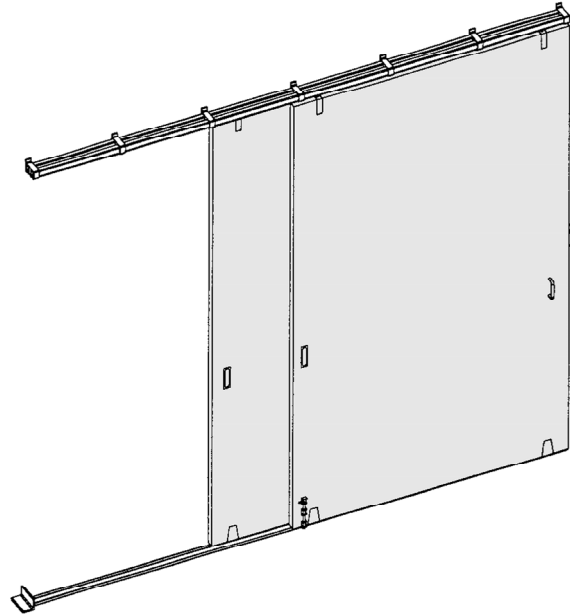
- Track - galvanised (301 or 301H). Available in 2m, 2.5m or 3m lengths.
- Brackets - single run, soffit fixing (3/301).
- Brackets - single run, soffit fixing, parallel ear (4/301).
- Brackets - single run, soffit fixing, parallel ear, steel (4/301/S).
- Brackets - double run, face fixing (5/301).
- Brackets - double run, soffit fixing (6/301).
- Hangers - metal doors, 2-wheel, bolt-fix, nylon, 125kg capacity per pair (56½AN).
- Hangers - metal doors, 2-wheel, bolt-fix, steel, 125kg capacity per pair (56½AS).
- Hangers - metal doors, 4-wheel, bolt-fix, nylon (56AN).
- Hangers - metal doors, 4-wheel, bolt-fix, steel (56AS).
- Hangers - metal doors, 4-wheel, concealed fixing, nylon (57AN).
- Hangers - metal doors, 4-wheel, concealed fixing, steel (57AS).
- Guides - metal doors (104P/97).
- Guides - metal doors, concealed fixing (106R/94).
- Guide - metal doors (106RB/94).
- Guide - metal doors (106R/97).
- Channel - aluminium (94X). Available in 1.6m, 2m, 2.5m, 3m and 3.2m lengths.
- Guide Channel - aluminium, anodised (94XNAA). Available in 2m, 3m, 4m and 6m lengths.
- Channel - brass (94). Available in 1.6m, 2m, 2.5m, 3m and 3.2m lengths.
- Channel - polypropylene (94P). Available in 2m, 3m, 4m and 6m lengths.
- Channel - polypropylene with aluminium support (94PA). Available in 2m, 3m, 4m and 6m lengths.
- Channel - galvanised steel (100). Available in 2m, 2.5m and 3m lengths.
- Channel - galvanised steel (97). Available in 2m, 2.5m and 3m lengths.
- Bottom Guide Rail - (299). Available in 2m lengths.

Optional Extras:

- Flush Pulls.
- Flush Bolts.
- Handles.
- Stops - (301DS).

Please note:

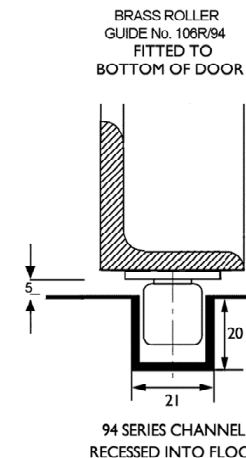
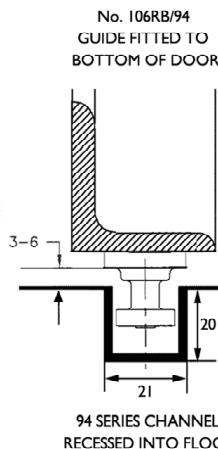
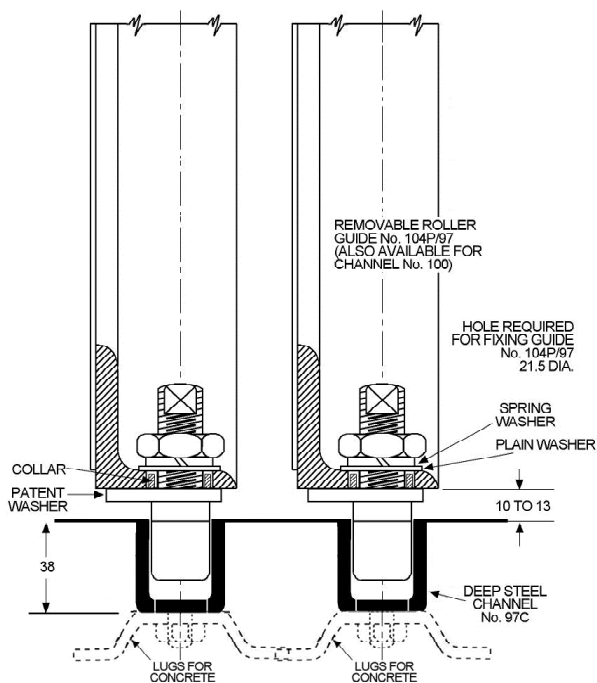
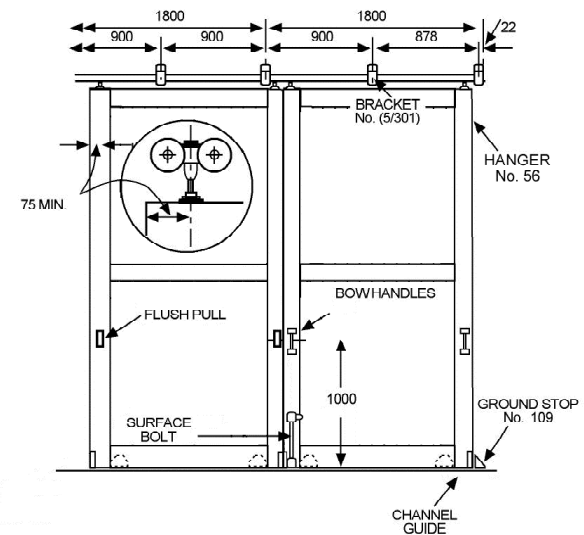
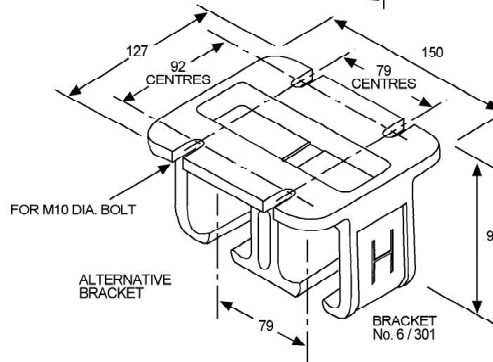
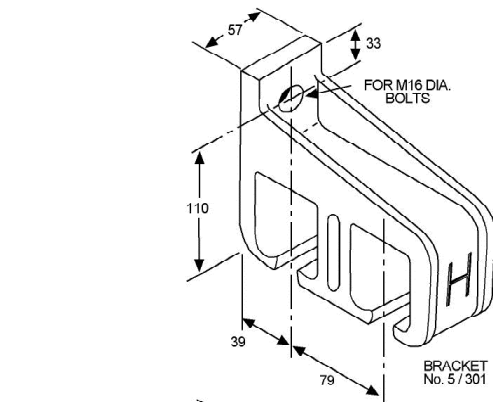
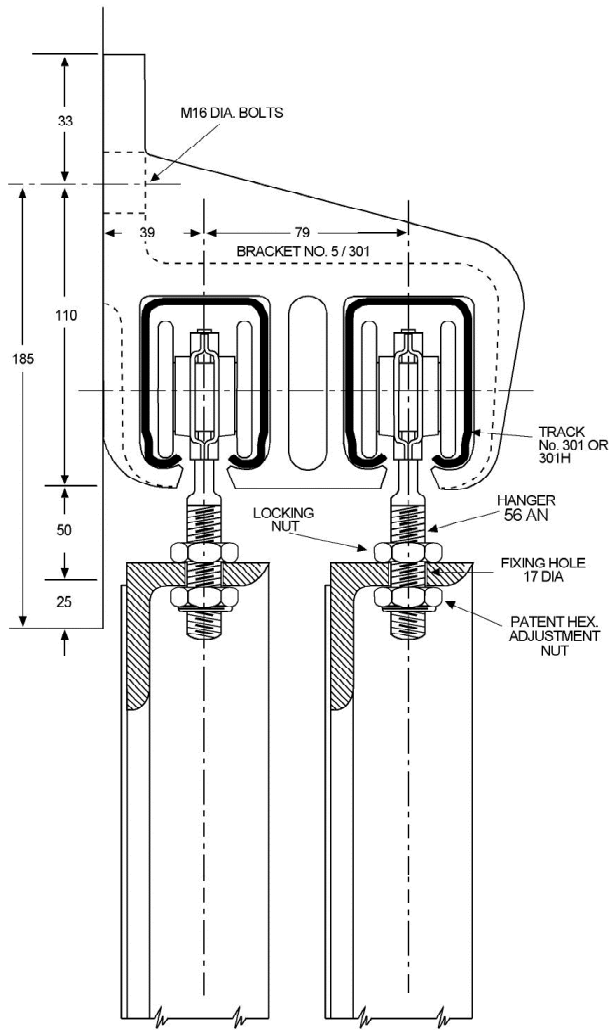
- Brackets to be fixed every 700mm - 900mm maximum and at track joints.
- Two hangers required per door.
- Please refer to component section for component options and technical detail.



DOUBLE RUN 301 & 301H - METAL



DOUBLE RUN 301 & 301H - METAL



DOUBLE RUN 301 & 301H - METAL

FLEXIROL 500 - TIMBER

Capacity:

- Maximum door weight: 500kg.
- Maximum door height: 6000mm.
- Maximum door width: 6000mm.
- Door thickness: 42mm - 100mm.

Application:

Henderson Flexirol is an aluminium track and hanger system for timber framed doors. It gives an interior designer or architect greater flexibility.

Flexirol is ideally suited to all types of installations - hotels, conference centres, shop fronts, hospitals and any site where good looks and practicality are needed from a sliding door system.



Components:

- Track - natural anodised aluminium (550). Available in 2m, 3m, 4m and 6m lengths.
- Track Jointing Strips - use four (551H/180) at each butt joint in the track.
- Brackets - adjustable face fix (1A/550).
- Hangers - stainless hanger, 16mm pendant (500/61/42).
- Hangers - stainless hanger, 16mm pendant (500/21/42).
- Guides - timber doors, stainless, plate fixing (106RB/94).
- Guides - timber doors, plate fixing (106RN/94).
- Guides - timber doors, plate fixing (106R/94).
- Guide channel - brass (94). Available in 1.6m, 2m, 2.5m, 3m and 3.2m lengths.
- Guide channel - aluminium (94X). Available in 1.6m, 2m, 2.5m, 3m and 3.2m lengths.
- Guide channel - aluminium anodised (94XNAA). Available in 1.6m, 2m, 2.5m, 3m and 3.2m lengths.
- Guide channel - aluminium anodised, combination threshold/guide channel (94T). Available in 2m, 3m, 4m and 6m lengths.
- Guide channel - polypropylene (94P). Available in 2m, 3m, 4m and 6m lengths.
- Guide channel - polypropylene with aluminium support (94PA). Available in 2m, 3m, 4m and 6m lengths.

Optional Extras:

- Flush Pulls.
- Flush Bolts.
- Handles.
- Track stop - (HH3/301/SS).

Please note:

- The aluminium track is supplied in a natural anodised finish.
- Please refer to component section for component options and technical detail.

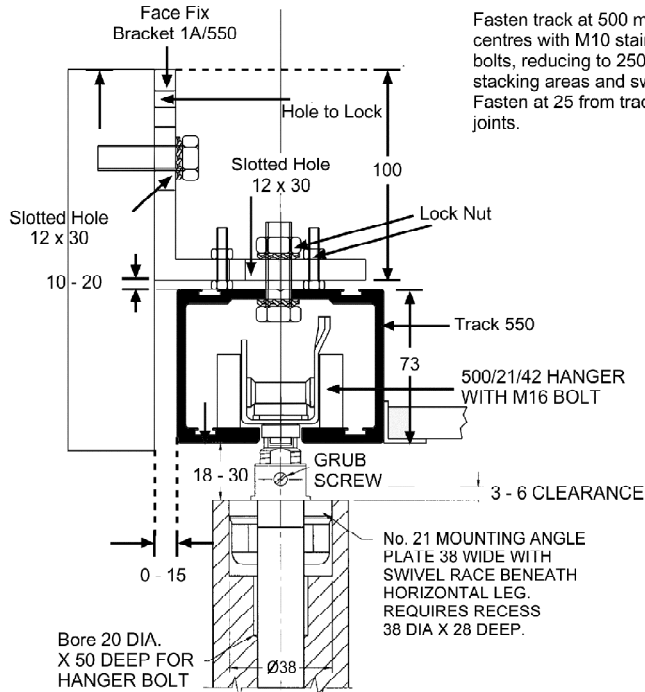
FLEXIROL 500 - TIMBER

EXT

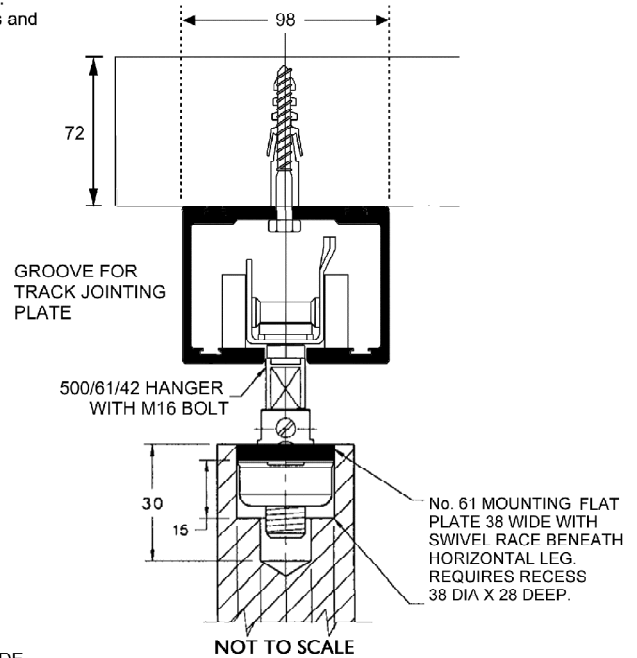
INT



FLEXIROL 500 - TIMBER



Fasten track at 500 maximum centres with M10 stainless steel bolts, reducing to 250 centres at stacking areas and switches. Fasten at 25 from track ends and joints.



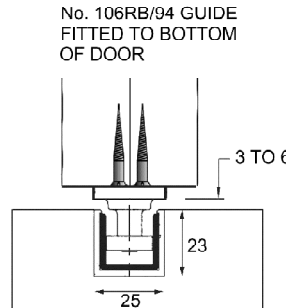
FLEXIROL 500 - TIMBER

NOT TO SCALE

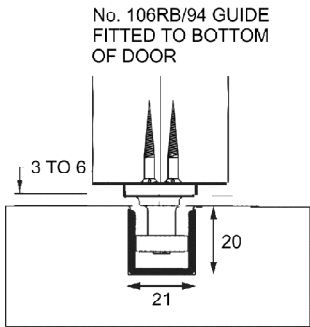
NOT TO SCALE

VERTICAL LEG OF MOUNTING ANGLE PLATE 152 LONG

MINIMUM THICKNESS FOR TIMBER DOOR USING 21C MOUNTING ANGLE PLATE



No. 94P POLYPROPYLENE CHANNEL IN No. 94PA ALUMINIUM SUPPORT CHANNEL RECESSED INTO FLOOR.



No. 94 SERIES CHANNEL CHANNEL RECESSED INTO FLOOR.

